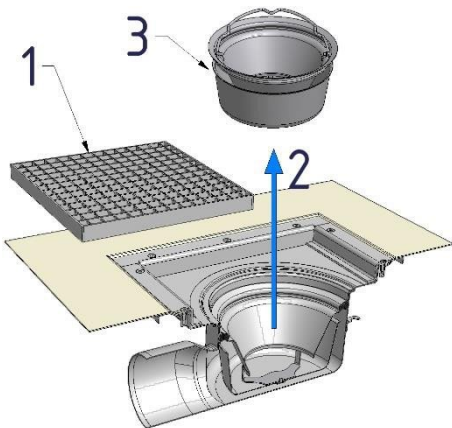


Operation & Maintenance of FURO floor drains and floor gutters

Stainless steel.

In order for the stainless steel material to retain its surface and resistance to corrosion, the product needs to be kept clean. In most cases, it is enough to rinse it with warm water and a soap or mild detergent, followed by a second rinse with clean water.

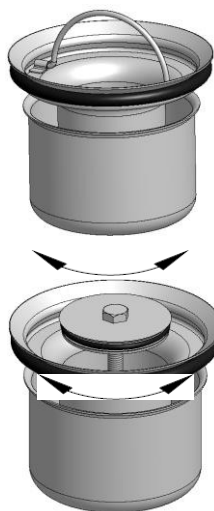
Discolouration may occur if the stainless steel surface is in contact with ferrous materials or affected by acids. Please remember to wipe or rinse away any substances that affect stainless steel, e.g. substances containing acids, do not place iron products on the stainless steel surface if they are in contact with the surface, and not grind or weld steel or iron products in the vicinity of the stainless steel material.



Dismantling and installing the FURO water trap.

(Some of our water trap products have a different appearance, but the principles are the same).

1. Lift out of the grate or strainer and any other accessories.
2. Pull the water trap upwards; it will "pop" loose from its position.
3. Check that the gasket also comes up.
4. Clean the water trap as stated below.



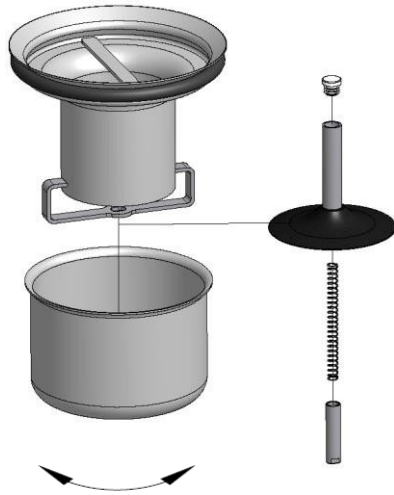
FURO – Standard water trap

Dismantling for cleaning is done by unscrewing the lower part from the top. Installation is done in the corresponding way.

FURO – Water trap with shut-off.

The shut-off function is obtained by unscrewing the hex screw until the water trap is closed. Dismantling for cleaning is done by unscrewing the lower part from the top. Installation is done in the opposite way.

FURO – Water trap with odour stop, model 126



The water trap contains a sealing membrane that prevents sewage odours from passing through even if the water trap dries out.

The odour stop must be cleaned regularly to ensure proper functioning.

Dismantling for cleaning is done by unscrewing the lower part from the top.

Installation is done in the opposite way. The odour stop function is dismantled according to the photo. Contains small parts as well as a spring and should therefore be disassembled with care.



FURO – Water trap with odour stop, model 220

The water trap contains a sealing membrane that prevents sewage odours from passing through even if the water trap dries out.

The odour stop must be cleaned regularly to ensure proper functioning.



Dismantling for cleaning is done by carefully unscrewing the top pin (contains a spring) from the water trap.

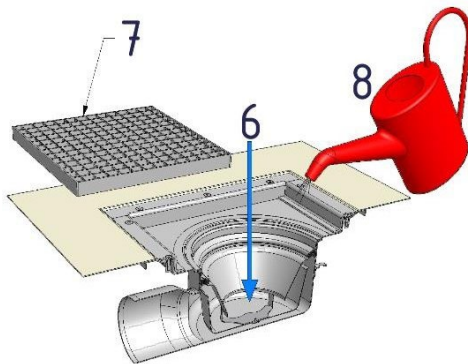
Installation is done by first assembling the gasket as shown. Then fit the water trap cup and the water trap insert together. Make sure that the thin lip of the gasket sits evenly against the top edge around the cup.

Next, install the spring and screw the top pin in place by simultaneously pressing down on the spring and screwing.

Check that the spring is not stuck between the top cone and the tube. Tighten securely by hand or by carefully using a wrench.



5. Lubricate the gasket with soap or rapeseed oil. The grooved gasket is assembled as shown.
6. Push the water trap back in place by applying an even pressure straight down and around so that it "pops" into position.
7. Put the grate or strainer back, along with any accessories.
8. Fill with water.



Strainer basket and sand catch

A full strainer basket or sand trap severely restricts flow, and should therefore be emptied and cleaned regularly. The time interval is determined by how the product is used.

FURO drains/gutters in bathhouse environments

The environment in a bathhouse is extremely hard on stainless steel in terms of corrosion. The stainless material is most exposed when it is placed next to the pool and exposed to chlorine/salt water splashes and chlorine-rich air. Under water or far from the basin, the risk of corrosion is less. Cleaning is necessary for the stainless steel products to remain unaffected. Therefore, the need for cleaning depends on the location of the product.

Gutters and drains must be rinsed daily with fresh water and all objects that can cause rust contamination removed (ferrous objects such as hair pins and the like that rust and stain the "stainless" steel surface).



All surfaces should be regularly scrubbed with Scotch-Brite or the equivalent. At least once a month depending on placement, temperature and use. Steel wool and other ferrous materials must not be used. Cleaning with Scotch-Brite removes the beginnings of any rust and allows the surface to re-generate a corrosion-resistant layer.